

# MAR1100E | 2D MEMS LASER SCANNING MIRROR

## OPTO-MECHANICAL INTERFACE

### Scanning module

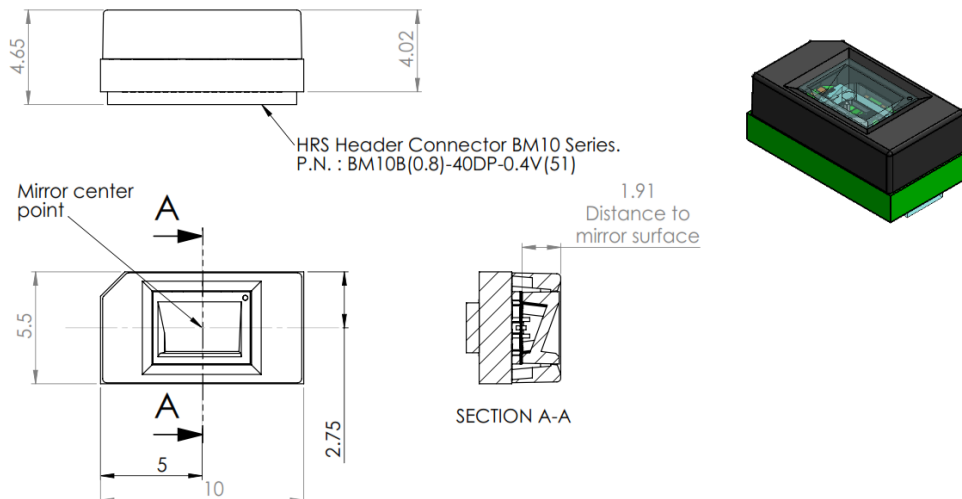


Figure 1: Scanning Head Module General View

### Scanning module electrical connection

The scanning module should be connected to the control board by a specified flat printed cable having a receptacle 40pin connector BM10NB (0.8)-40DS-0.4V (51).

### Laser Interface

The optical window of the MAR1100E enables typical projection of a 45[deg]x25[deg] FOV. The laser should be positioned according to the instructions detailed in Figure. For higher projection angles this should be modified accordingly.

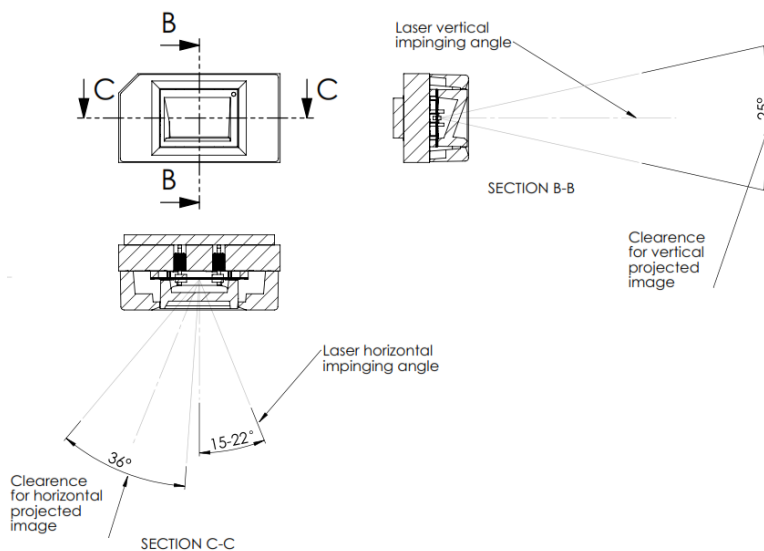


Figure 2: Scanning Head Module General View

## IMPORTANT NOTE

---

This document contains proprietary information that is protected by copyright. All rights are reserved. No part of this document may be photocopied, reproduced, or translated into another language without the prior written consent of Maradin Ltd. or any of its subsidiaries or affiliates. The information in this document is subject to change without notice. Maradin Ltd. makes no warranty of any kind with regard to this printed material, including, but not limited to, the implied warranties of merchantability and fitness for a particular purpose.

Maradin Ltd. shall not be liable for errors contained herein or for incidental or consequential damages in connection with the furnishing, performance, or use of this material. Brand or product names are trademarks or registered trademarks of their respective companies or organizations. Maradin Ltd. reserves the right to make any corrections, modifications, enhancements, improvements, and other changes to its products and services at any time and to discontinue any product or service upon its sole discretion and without notice. The buyer should obtain the latest relevant information before placing orders and should verify that such information is current and complete, and shall be solely liable to obtain such verifications. All products are sold subject to Maradin Ltd. General Terms and Conditions of Sale supplied at the time of order acknowledgment.

## CONTACT DETAILS

2 HaCarmel St. P.O. Box 56, Yokneam 2609201, Israel  
Tel. +972 (4) 627 3653 Fax. +972 (4) 959 0327  
info@maradin.co.il [www.maradin.co.il](http://www.maradin.co.il)